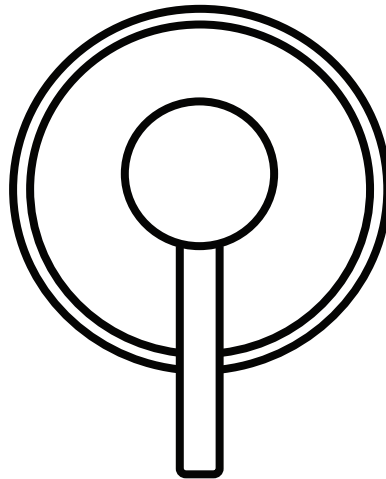
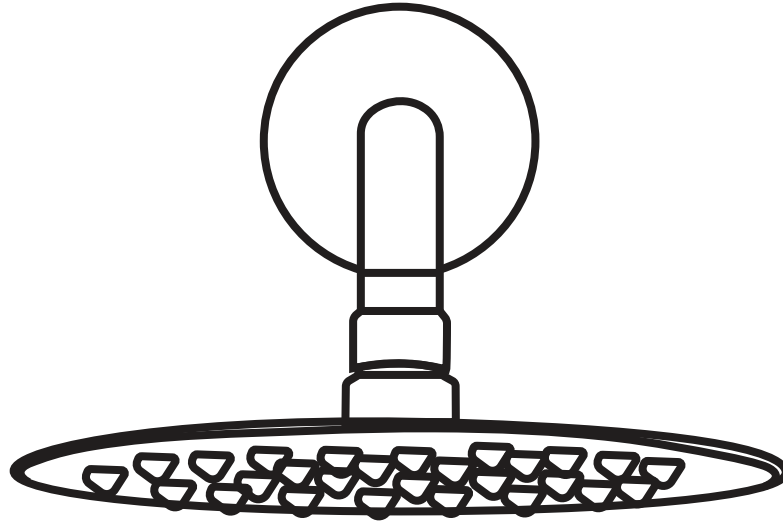


Ivy Shower Head INSTALLATION INSTRUCTIONS

Swiss Madison®
well made forever



@SwissMadison
#WellMadeForever





PRIOR TO INSTALLATION:

- Inspect shower head to ensure no damages have occurred while in shipping.
- Observe all plumbing and building codes in accordance with your state and local requirements.
- All dimensions are nominal! Be sure to measure your grab bar prior to installation.
- The step-by-step guidelines in the installation instructions are a general reference. Should there be any discrepancies, Swiss Madison cannot be held liable. It is recommended to install all Swiss Madison products by hiring a licensed professional.
- Read installation and maintenance instructions thoroughly before installing. Be sure to use proper tools and always wear proper personal safety accessories for your protection.

If you have any questions or concerns please contact us:
 1-434-623-4766
info@swissmadison.com

SUGGESTED TOOLS & MATERIALS:



Safety Glasses



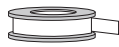
Wrench



Drill



Allen key



Pipe tape

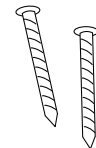


Screw driver

INCLUDED PARTS:

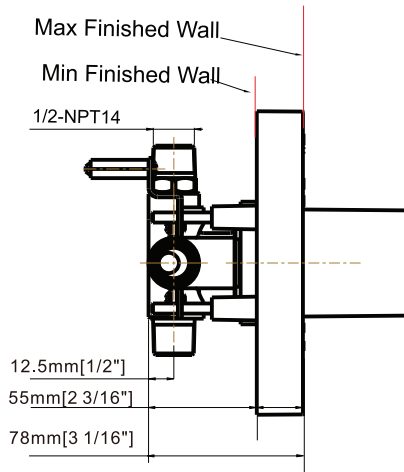
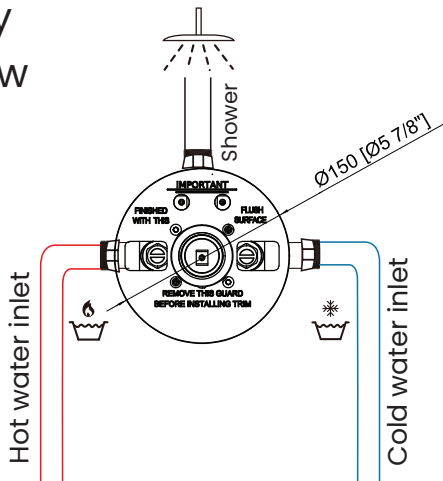
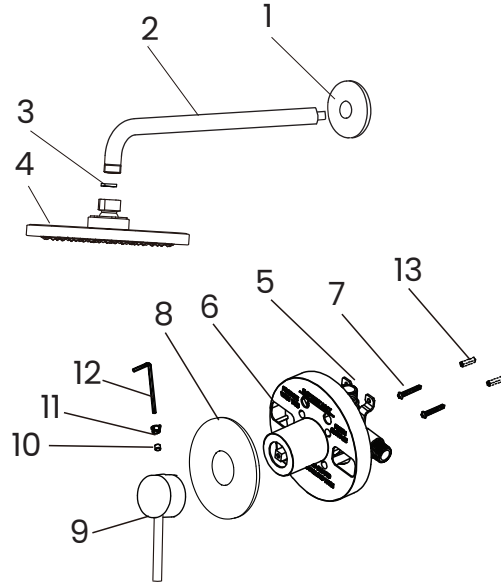


Shower head

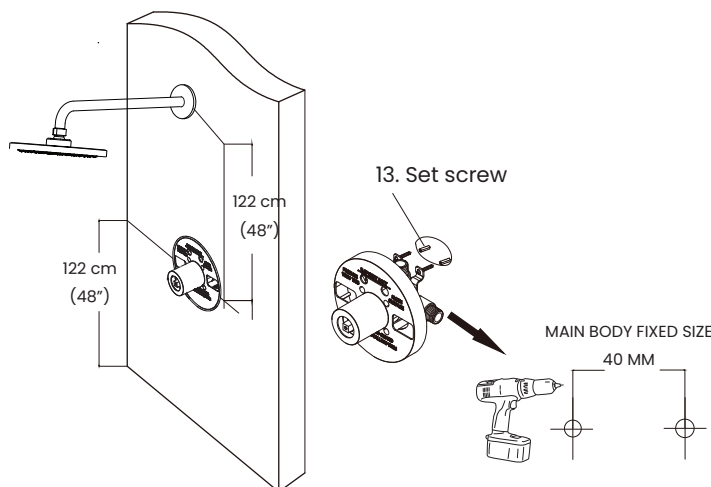


Hardware

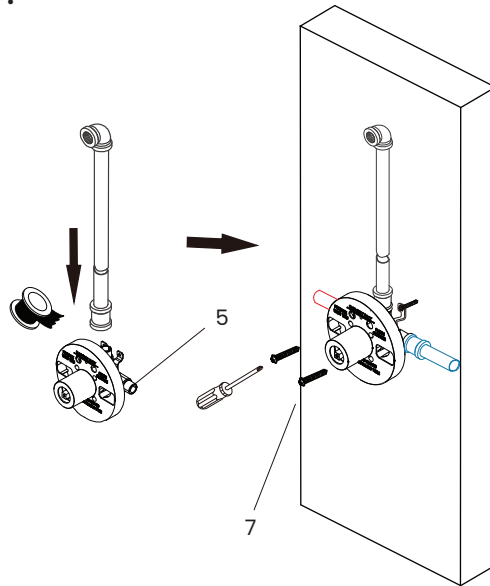
1. Trim
2. Shower arm
3. Gasket
4. Shower head
5. Valve body
6. Cover plate
7. Tapping screw
8. Panel
9. Handle
10. Screw
11. Red/blue button
12. Allen key
13. Set screw



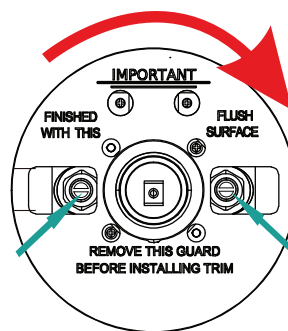
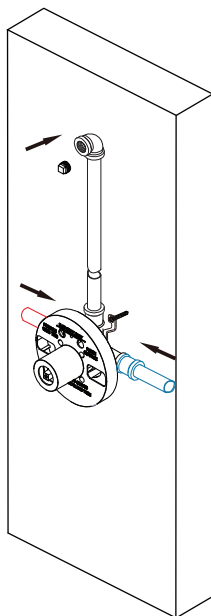
1. Following the installation reference size, insert two set screws (13) for the valve body mounting.



2. Insert the valve body (5) into the pre-cut hole and align with the set screws and attach the vertical water line, then secure the valve body using provided screws (7). Connect the horizontal hot/cold water lines to the valve body.

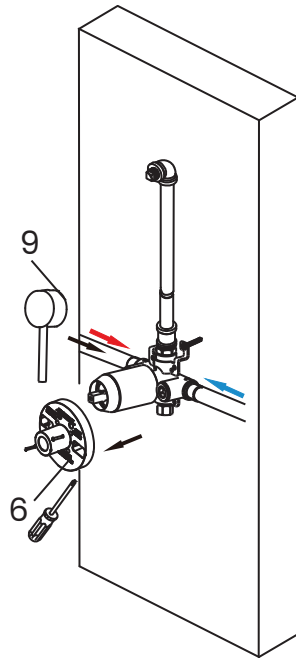


3. Plug the water outlets and test water pressure at the suggested settings.
 - a.) Test 3 min @ 1.6 MPA when the ceramic cartridge is closed.
 - b.) Test 3 min @ 0.4 MPA when the ceramic cartridge is open.
 - c.) Proceed to next step if no leaking occurs after test.

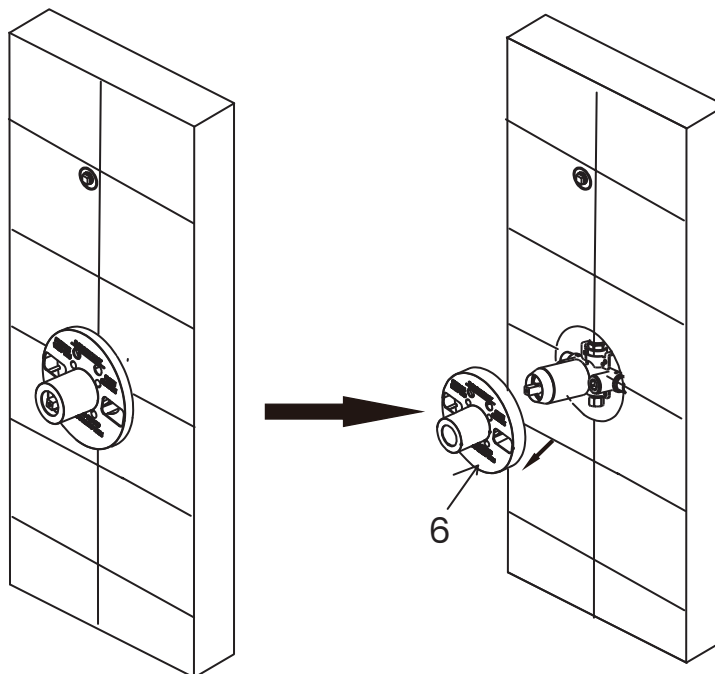


The valve body is with water flow regulation function. If there is great deviation in cold and hot water flow, it could be adjusted at the point indicated by the arrow.
(Turn down in clockwise rotation)

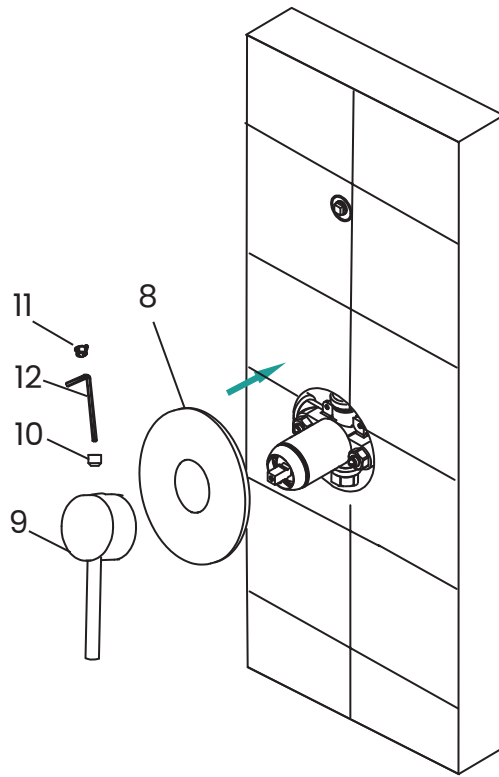
4. Remove the cover plate (6) and install the handle (9).



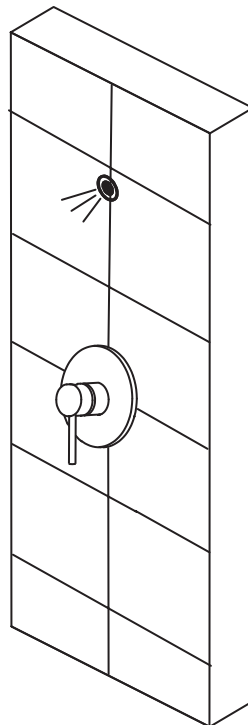
5. If finishing on tiled wall, remove the handle (9) and put cover plate (6) back over the valve. Remove cover plate after finished wall is complete.



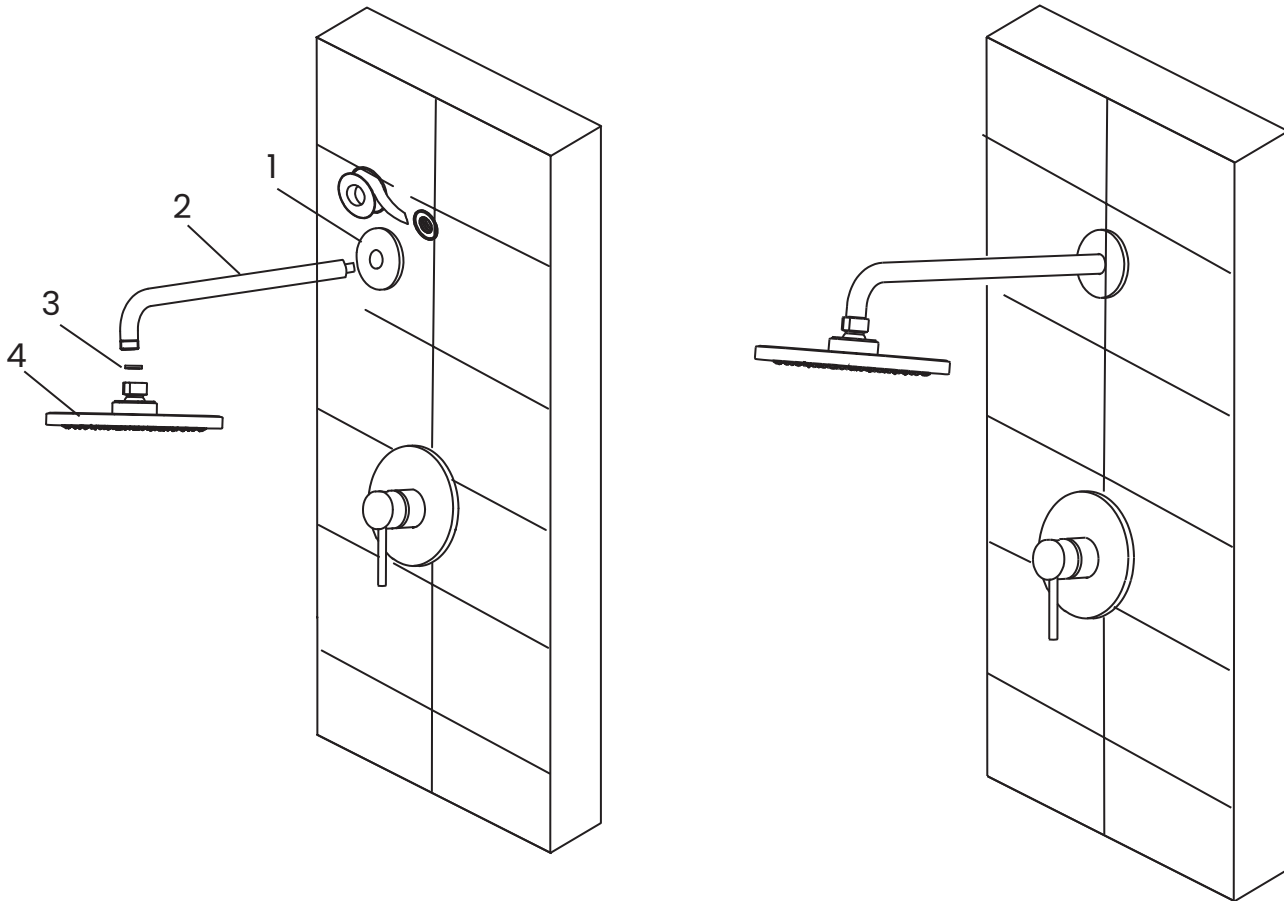
6. Finish valve installation by adding the panel (8) and the handle (9) to the valve body.



7. Remove the plug from the shower head line and flush any dirt from the water line.



8. Use plumbing tape to seal the shower arm (2) at the top spout. Attach the shower arm, gasket (3), and shower head (4) as shown below to complete installation.



ONE YEAR LIMITED WARRANTY

Swiss Madison® products are made with quality materials and excellent craftsmanship to provide our customers with beautiful, durable, long-lasting products. Should there be any defects in materials or craftsmanship under regular use that are discovered within the first year of installation, Swiss Madison® will provide replacement parts at no charge, or at its discretion, replace any product or part of the product that is deemed defective, under normal installation, use, service or maintenance. This warranty applies only to the original purchaser. Proof of purchase will be required in the instance of a claim.

Swiss Madison® recommends all installations of Swiss Madison® products to be conducted by a licensed, professional plumber or contractor. Swiss Madison® will not be held responsible for any damage or product failure due to improper installation, misuse, or failure to utilize a licensed professional for installation. Swiss Madison® is not responsible for any installation or removal costs.

This One Year Limited Warranty Will Be Voided If:


- The installation recommendations were not followed by the installer
- The product has been moved from its initial place of installation
- The product has in any way been modified from its packaged state
- The product has been subjected to improper maintenance, abuse, misuse, excessive use of chemicals, accidents, or other damages, etc.

Swiss Madison® makes no implication that its products comply with any local building or plumbing codes. It is the consumer's responsibility and obligation to determine local code compliance prior to and during installation. This warranty extends only to the original purchaser and first consumer.

Swiss Madison® is not responsible for any special, incidental or consequential damages associated with the installation, replacement, return or use of the original purchaser's product. This includes, but is not limited to: freight costs, labor, travel time, lost profit, home damages and other contingent liabilities and costs (including, without limitation, costs associated with 'professionals' or 'experts', investigations, audits, analyses, attorneys and any other professional/hired services).

The Swiss Madison® warranty is a comprehensive and explicit limit of liability. All items not disclosed within the warranty are not addressable within the responsibility of Swiss Madison®. Certain states have variances regarding implied warranties; in those situations, we remain fully compliant.

**If you have any questions or concerns, please contact us directly at
1-434-MADISON (623-4766)**

 **WARNING:** Contents of your order may contain sharp and possibly other harmful pieces and may cause hazard to children and adults. Swiss Madison® is not responsible in any way for personal damages.